

● FEATURES

- SMALL SMD PACKAGE
- LOW JITTER
- 3rd OVERTONE CRYSTAL DESIGN

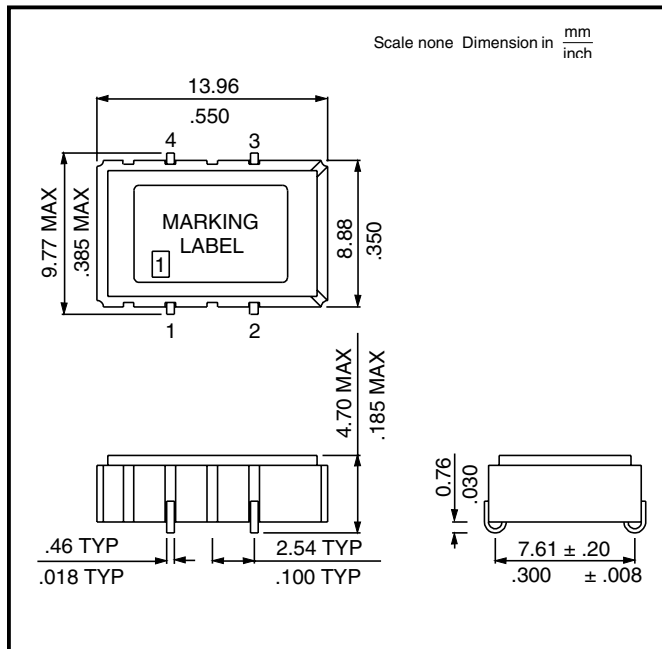
MODEL CO8920A

● SPECIFICATIONS

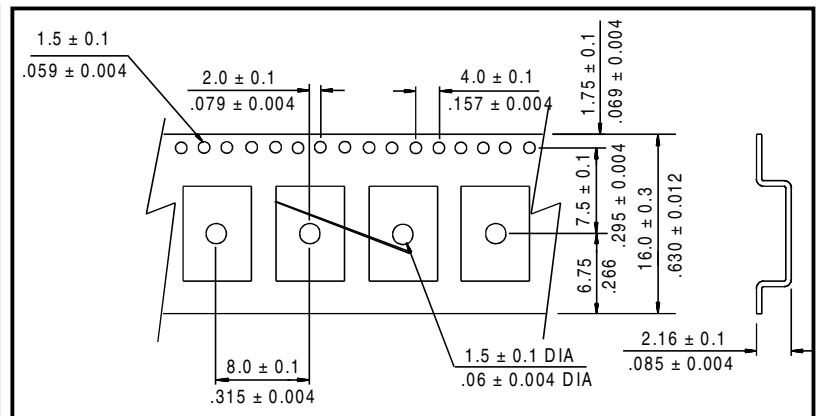
REVISION: B
DATE: 10/26/01

PARAMETER	SYMBOL	CONDITIONS	VALUE	UNIT
FREQUENCY, NOM	fo	-	125.00, 133.00, 156.25	MHz
SUPPLY VOLTAGE, NOM.	Vcc	Vcc = ±5%	3.3	V
SUPPLY CURRENT, MAX.	Is	Vcc = +3.3VDC, Ta = +25°C, 50Ω to +1.3VDC load	135	mA
PECL OUTPUT	VOH/VOL	load = 50Ω to +1.3VDC, Vcc, nom.	2.275/1.68	V
DUTY CYCLE	DC	load = 50Ω to +1.3VDC / 50%Vcc	45...55	%
RISE AND FALL TIME	tr / tf	20%~80% Vout, 80%~20% Vout	1.7	ns
JITTER, RMS, MAX	J	1σ, Fj = 12KHz...20MHz	1	ps
OVERALL FREQ. STABILITY, MAX.	Δf/fc	INCLUDING TEMPERATURE, ±5% LOAD & SUPPLY VARIATION, & 10 YEARS AGING	±20.0	ppm
FREQ. CALIBRATION TOLERANCE, MAX	(fo-fc)/fo	Vcc = +3.3VDC, Ta = +25°C, 50Ω to +1.3VDC load	±15.0	ppm
OPERATING TEMPERATURE RANGE	Ta	-	-40...+85	°C
STORAGE TEMPERATURE RANGE	T(stg)	-	-55...+90	°C

● OUTLINE DRAWING



● CARRIER TAPE DIMENSIONS



● ENABLE / DISABLE FUNCTION TABLE

PIN	FUNCTION
1	N/C
2	CASE/GND
3	OUTPUT
4	Vcc

● EXAMPLE:

CO8920A-D3-125.000-C-T-4

● REFLOW SOLDERING PROFILE

